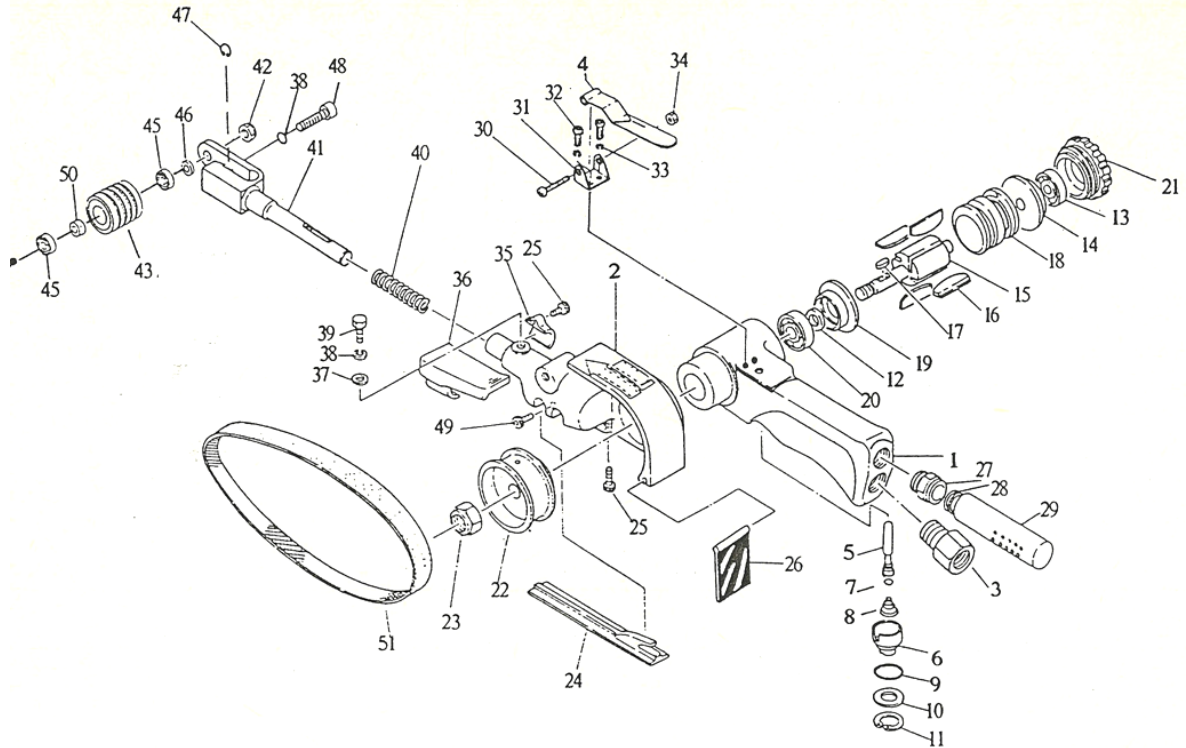


GP-0463S BELT SANDER

www.air-allied.com.au



PARTS **DESCRIPTION**
NO.

01.	HOUSING
02.	GUARD BODY
03.	AIR INLET
04.	LEVER
05.	VALVE STEM
06.	ADJUST VALVE
07.	"O" RING
08.	SPRING
09.	"O" RING
10.	SPACER
11.	RETAINING RING
12.	DISTANCE COLLAR
13.	BALL BEARING
14.	REAR END PLATE
15.	ROTOR
16.	BLADE (4)
17.	SUNK KEY
18.	CYLINDER
19.	FRONT END PLATE
20.	BALL BEARING
21.	CAP
22.	DRIVE PULLEY
23.	HEXAGON NUT
24.	FLAT SHOE
25.	BOLT (2)

PARTS **DESCRIPTION**
NO.

27.	NIPPLE
28.	SPRING
29.	SILENCER
30.	MACHINE SCREW
31.	LEVER SUPPORT
32.	MACHINE SCREW
33.	SPRING WASHER
34.	HEXAGON NUT
35.	BUSHING
36.	FINGER PAD
37.	WASHER
38.	SPRING WASHER (2)
39.	SCREW
40.	SPRING
41.	ARM
42.	NUT
43.	IDLE PULLEY
44.	SHAFT
45.	BALL BEARING (2)
46.	SPACER
47.	RETAINING RING
48.	BOLT
49.	BOLT
50.	SPACER
51.	GRINDING BELT

26. DUST COVER